



**Astro Pneumatic  
Tool Company**  
372 Old US Highway 52 South  
Mount Airy, NC 27030

Model:

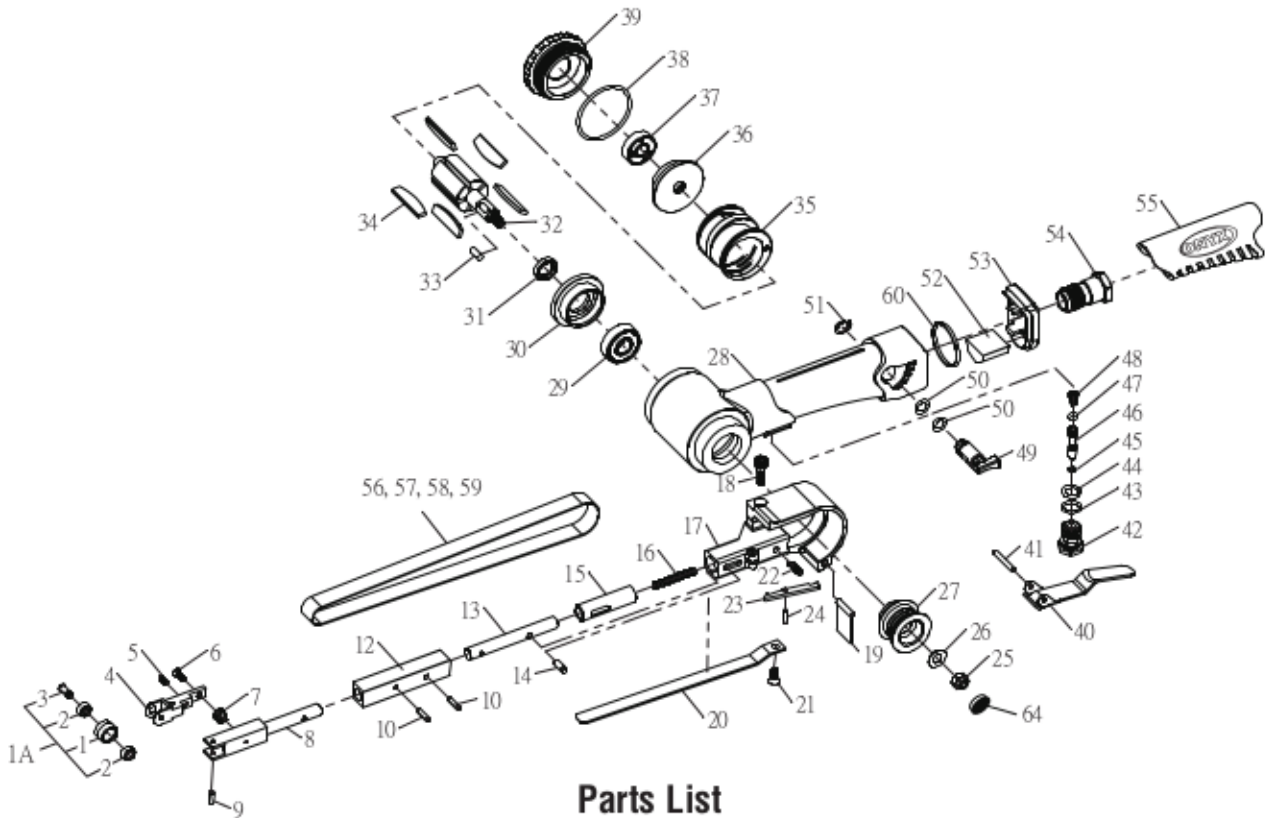
**3037**

Product Type:

**AIR BELT SANDER  
1/2" x 18"**

Call 1.800.221.9705 for questions concerning performance of the product or other inquiries.

## PARTS BREAKDOWN



### Parts List

Index	Part No.	Description	Qty	Index	Part No.	Description	Qty	Index	Part No.	Description	Qty
1A	3037-01A	Idle Pulley Assembly	1Set	22	3037-22	Stopper Spring	1	42	3037-42	Valve Body	1
1	3037-01	Idle Pulley	1	23	3037-23	Stopper	1	43	3037-43	O-Ring (S11.2)	1
2	3037-02	Ball Bearing (684zz)	2	24	3037-24	Spring Pin (Ø2.5x10)	1	44	3037-44	O-Ring (ID9.8x2.4)	1
3	3037-03	Idle Pulley Screw	1	25	3037-25	Hexagon Nut (M6)	1	45	3037-45	O-Ring (ID3x1)	1
4	3037-04	Bracket 10	1	26	3037-26	Washer (M6)	1	46	3037-46	Valve Stem	1
5	3037-05	Set Screw (M3x8)	1	27	3037-27	Drive Pulley	1	47	3037-47	O-Ring (P3)	1
6	3037-06	Phillips Screw	1	28	3037-28	Housing	1	48	3037-48	Valve Spring	1
7	3037-07	Spring	1	29	3037-29	Ball Bearing (6000ZZ)	1	49	3037-49	Air Regulator	1
8	3037-08	Tension Bar	1	30	3037-30	Front End Plate	1	50	3037-50	O-Ring (P7)	2
9	3037-09	Spring Pin (Ø3x10)	1	31	3037-31	Spacer	1	51	3037-51	Snap Ring	1
10	3037-10	Stopper Pin (Ø3x12)	2	32	3037-32	Rotor	1	52	3037-52	Muffle	1
12	3037-12	Tension Spindle	1	33	3037-33	Parallel Key Both Ends Round 4x4x9.5	1	53	3037-53	Exhaust Diffuser	1
13	3037-13	Dead Hadle	1	34	3037-34	Rotor Blade	5	54	3037-54	Inlet Bushing	1
14	3037-14	Stopper Pin	1	35	3037-35	Cylinder	1	55	3037-55	Housing Cover	1
15	3037-15	Guard Bushing	1	36	3037-36	Rear End Plate	1	56	303740	Sanding Belt 40 Grit	1
16	3037-16	Tension Spring	1	37	3037-37	Ball Bearing (608zz)	1	57	303760	Sanding Belt 60 Grit	1
17	3037-17	Guard Sub Ass'y	1	38	3037-38	O-Ring (S38)	1	58	303780	Sanding Belt 80 Grit	1
18	3037-18	Head Cap Screw (M5x15)	1	39	3037-39	Cap	1	59	3037100	Sanding Belt 100 Grit (Optional)	1
19	3037-19	Dust Cover	1	40	3037-40	Throttle Lever	1	60	3037-60	Ring	1
20	3037-20	Shoe 12	1	41	3037-41	Spring Pin (Ø3x20)	1	64	3037-64	Pulley Cover	1